

ELEVATION

SIDE VIEW

NOTES:

1. ABOVE GROUND GAS PIPING (METER, RISER, ETC.):
 - A. SHALL BE LOCATED IN VENTILATED SPACES READILY ACCESSIBLE FOR EXAMINATION, READING OR NECESSARY MAINTENANCE.
 - B. SHALL NOT BE PLACED WHERE THEY WILL BE SUBJECTED TO DAMAGE, SUCH AS ADJACENT TO A DRIVEWAY, UNDER A FIRE ESCAPE, IN PUBLIC PASSAGES, HALLS, COAL BINS OR WHERE THEY WILL BE SUBJECT TO EXCESSIVE CORROSION OR VIBRATION.
 - C. SHALL NOT BE PLACED WITHIN 36" OF ANY FRESH AIR INTAKE.
2. WITHOUT PRIOR APPROVAL FROM ATMOS ENERGY TECHNICAL SERVICES, NO PART OF METER ASSEMBLY MAY BE PLACED DIRECTLY UNDER:
 - A. AN OPERABLE WINDOW.
 - B. A FIRE ESCAPE.
 - C. A CARPORT ROOF, AWNING OR ENCLOSURE OTHER THAN A STANDARD EAVE.
 - D. ELECTRIC METER OR CABLE TV/TELEPHONE EQUIPMENT ENCLOSURES.
3. IF GAS METER IS 5 FEET OR MORE FROM WALL, THEN HORIZONTAL DIMENSIONS SHOWN IN ELEVATION ARE NOT APPLICABLE.
4. SEE ALSO STD. 10-005 & 10-006.
5. GREATER CLEARANCE MAY BE REQUIRED BY LOCAL ORDINANCE OR MANUFACTURER'S SPECIFICATIONS. ADHERE TO MORE STRINGENT LOCAL SPECIFICATIONS WHERE APPLICABLE.
6. IF THE ABOVE GROUND LOCATION IS VULNERABLE TO VEHICULAR TRAFFIC, CONSIDER INSTALLING A BARRIER. SEE STD. 10-002.
7. METER SET LOCATIONS ARE TYPICAL FOR MOST CONDITIONS. VARIATIONS MAY BE MADE TO MEET LOCAL CODE REQUIREMENTS, TO ENSURE METER IS ACCESSIBLE OR TO BETTER PROTECT THE METER FROM HAZARDS.

REPLACES DRAWING	DATE
STD. 10-004-02	8/22/16
STD. 10-004-01	7/26/12
STD. 10-004-00	8/30/07
STD. 950-01-00	3/7/06

DESIGNED BY: M. KOLKMEIER	5/15/02
DRAWN BY: C. OSTROVICH/S. B. LANG	8/22/16
CHECKED BY: P. TUCKER	8/22/16

**GUIDELINES FOR METER LOCATION
 AND CLEARANCES,
 WITH RESPECT TO
 BUILDING FEATURES
 ENGINEERING GUIDELINE**

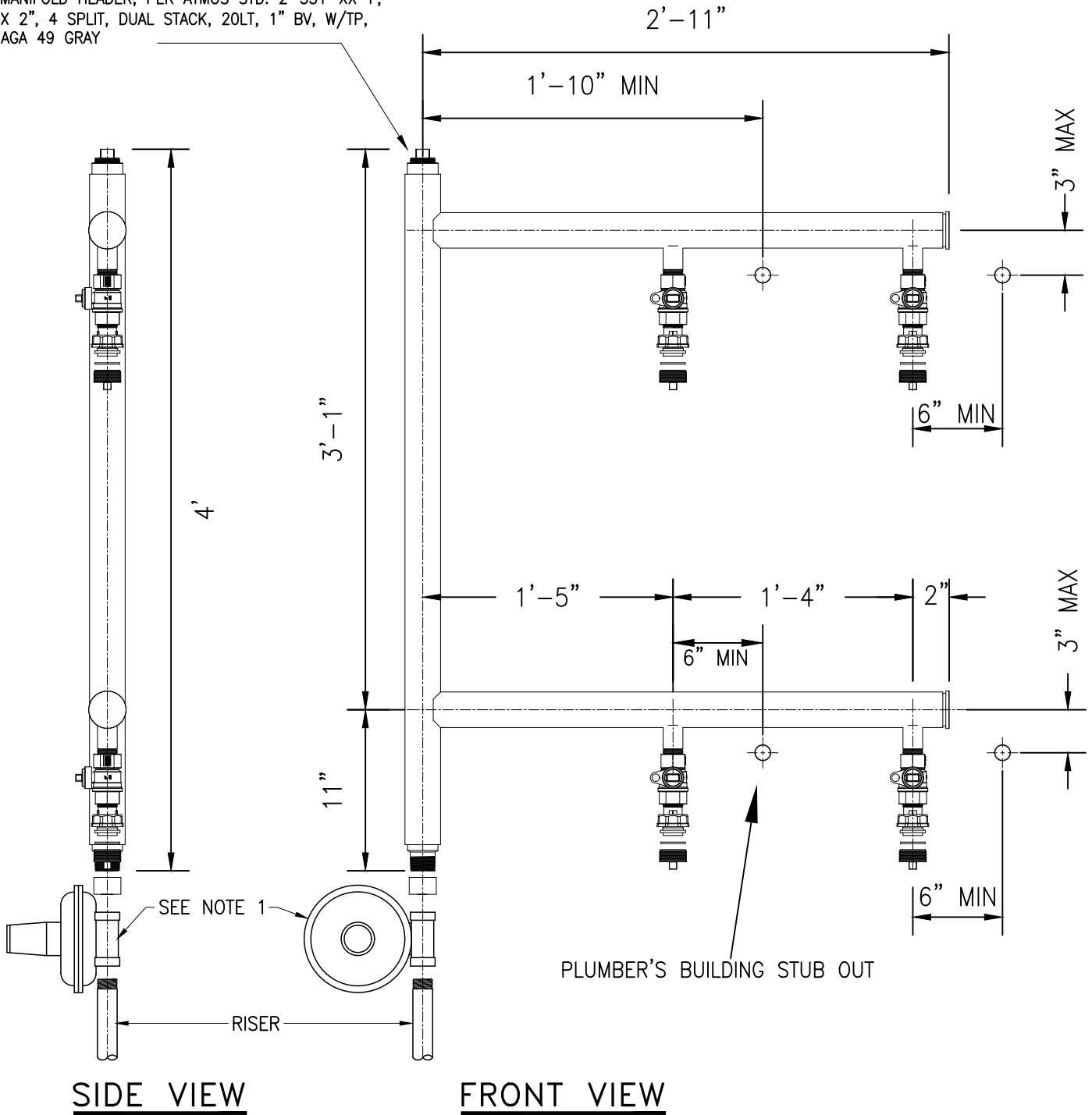
APPROVED	
APPROVED BY:	ENGR.
APPROVED BY:	MEAS.
APPROVED BY: P. TUCKER	STDS. 8/22/16

A.I.N.	DSWR#:
DWG. NO. STD. 10-004-03	SHT. -A



MANIFOLD HEADER, PER ATMOS STD. 2-351-XX-F,
 X 2", 4 SPLIT, DUAL STACK, 20LT, 1" BV, W/TP,
 AGA 49 GRAY

PLOTTED: 8/14/2017 - 7:45am BY: BRUNAL, LAMATRICK 1



NOTE:

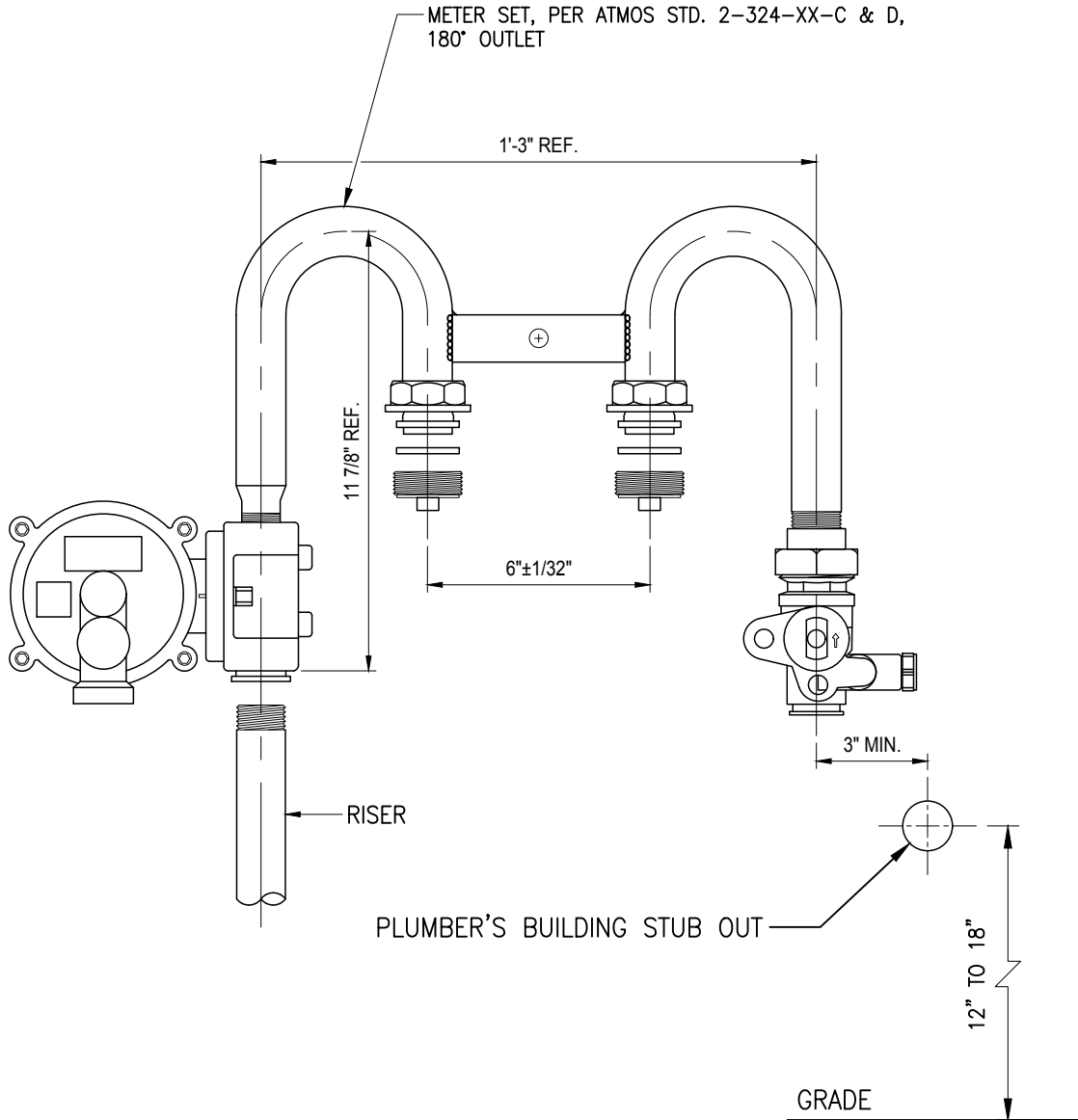
1. METER LOOP DOES NOT CONNECT DIRECTLY TO THE RISER SO THAT THERE IS ENOUGH SPACE TO INSTALL THE APPROPRIATE REGULATOR (UNLESS IT IS A LOW PRESSURE SET).

STD. 10-004-02	12/20/16
STD. 10-004-01	7/26/12
STD. 10-004-00	8/30/07
STD. 950-01-00	3/7/06
REPLACES DRAWING	DATE

DESIGNED BY: M. KOLKMEIER	5/15/02
DRAWN BY: L. BYNUM	12/19/16
CHECKED BY: P. MURDOCK	12/20/16
APPROVED	
APPROVED BY:	ENGR.
APPROVED BY:	MEAS.
APPROVED BY: P. MURDOCK	STDS. 12/20/16

GUIDELINES FOR METER LOCATION AND CLEARANCES, PLUMBER'S BUILDING STUB LOCATION, FOR MANIFOLD ENGINEERING GUIDELINE	
A.I.N.	DSWR#:
DWG. NO. STD. 10-004-03	SHT. -B



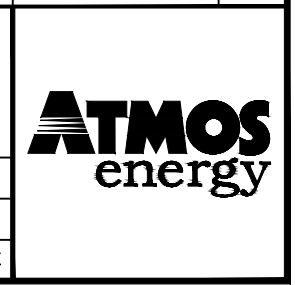


STD. 10-004-02	8/22/16
STD. 10-004-01	7/26/12
STD. 10-004-00	8/30/07
STD. 950-01-00	3/7/06
REPLACES DRAWING	DATE

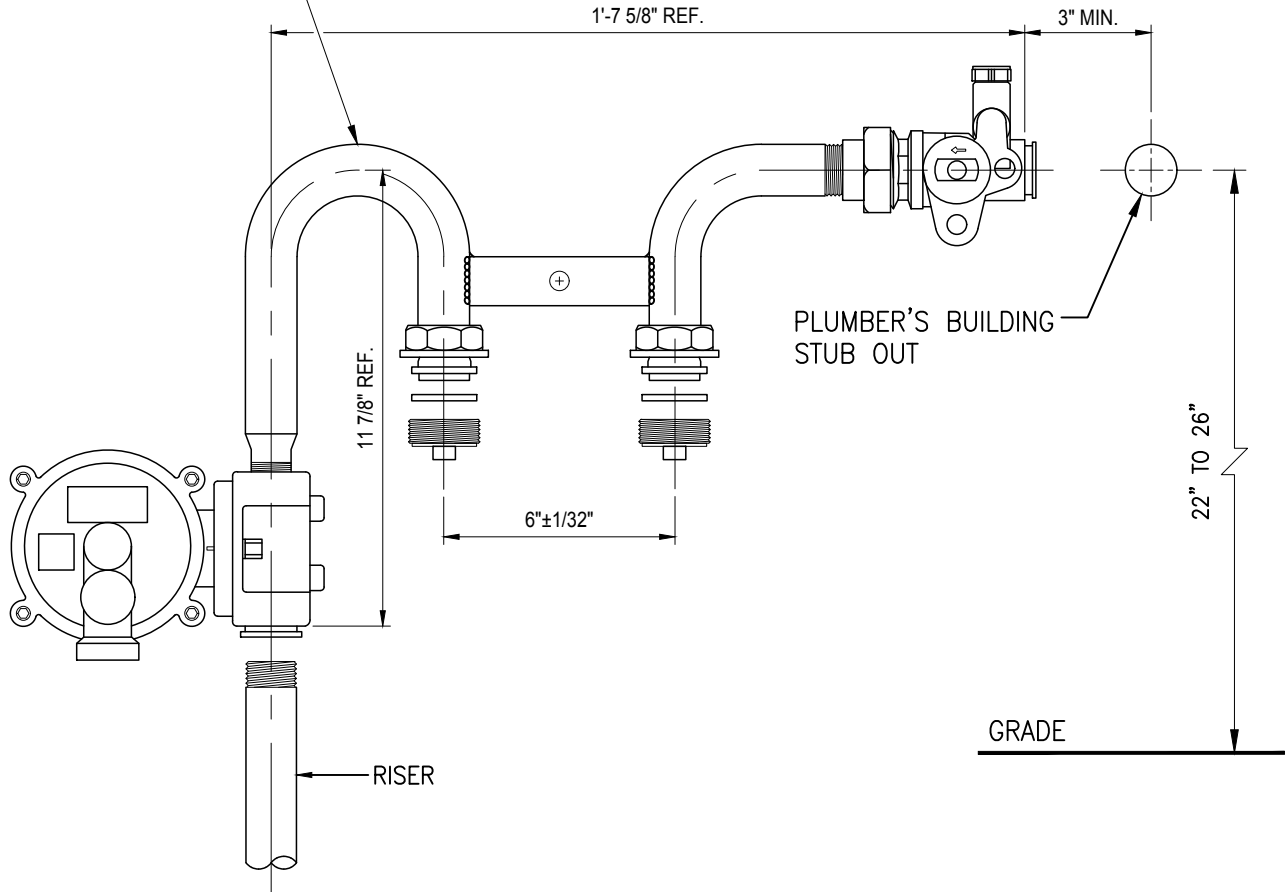
DESIGNED BY: M. KOLKMEIER	5/15/02
DRAWN BY: C. OSTROVICH/S. B. LANG	8/22/16
CHECKED BY: P. TUCKER	8/22/16
APPROVED	
APPROVED BY:	ENGR.
APPROVED BY:	MEAS.
APPROVED BY: P. TUCKER	STDS. 8/22/16

**GUIDELINES FOR METER LOCATION
 AND CLEARANCES,
 PLUMBER'S BUILDING STUB LOCATION,
 FOR 180° METER OUTLET
 ENGINEERING GUIDELINE**

A.I.N.	DSWR#:
DWG. NO. STD. 10-004-03	SHT. -C



METER SET, PER ATMOS SYD. 2-324-XX-A & B,
90° OUTLET



STD. 10-004-02	8/22/16
STD. 10-004-01	7/26/12
STD. 10-004-00	8/30/07
STD. 950-01-00	3/7/06
REPLACES DRAWING	DATE

DESIGNED BY: M. KOLKMEIER	5/15/02
DRAWN BY: C. OSTROVICH/S. B. LANG	8/22/16
CHECKED BY: P. TUCKER	8/22/16
APPROVED	
APPROVED BY:	ENGR.
APPROVED BY:	MEAS.
APPROVED BY: P. TUCKER	STDS. 8/22/16

GUIDELINES FOR METER LOCATION AND CLEARANCES, PLUMBER'S BUILDING STUB LOCATION, FOR 90° METER OUTLET ENGINEERING GUIDELINE	
A.I.N.	DSWR#:
DWG. NO. STD. 10-004-03	SHT. -D

