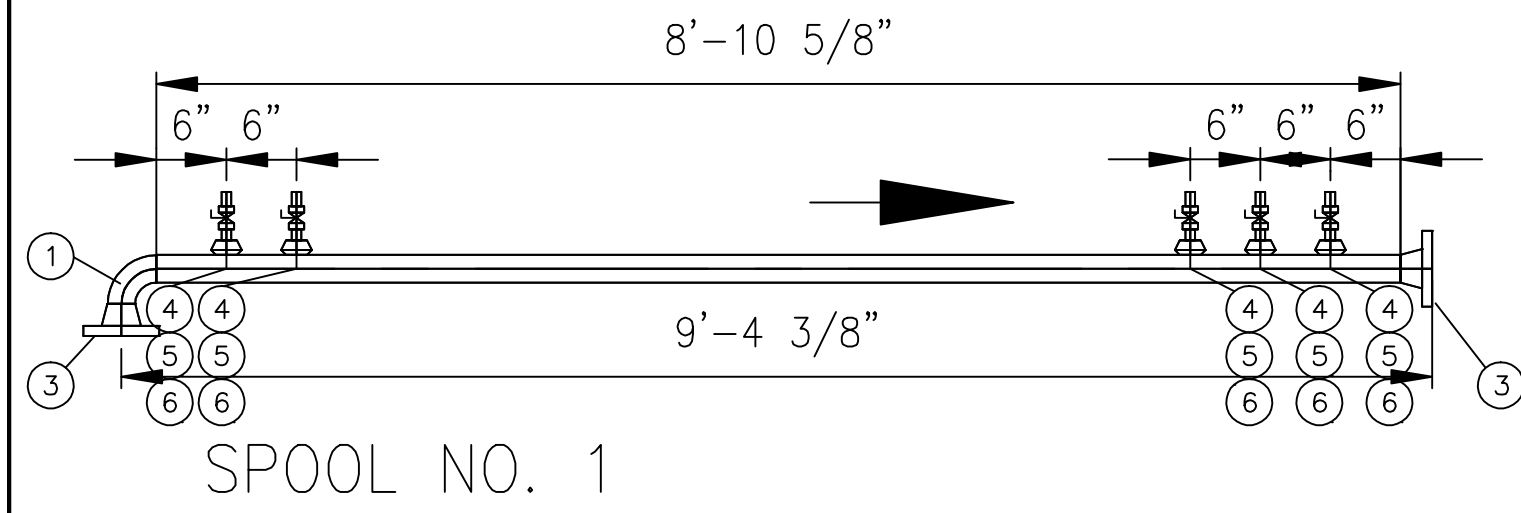
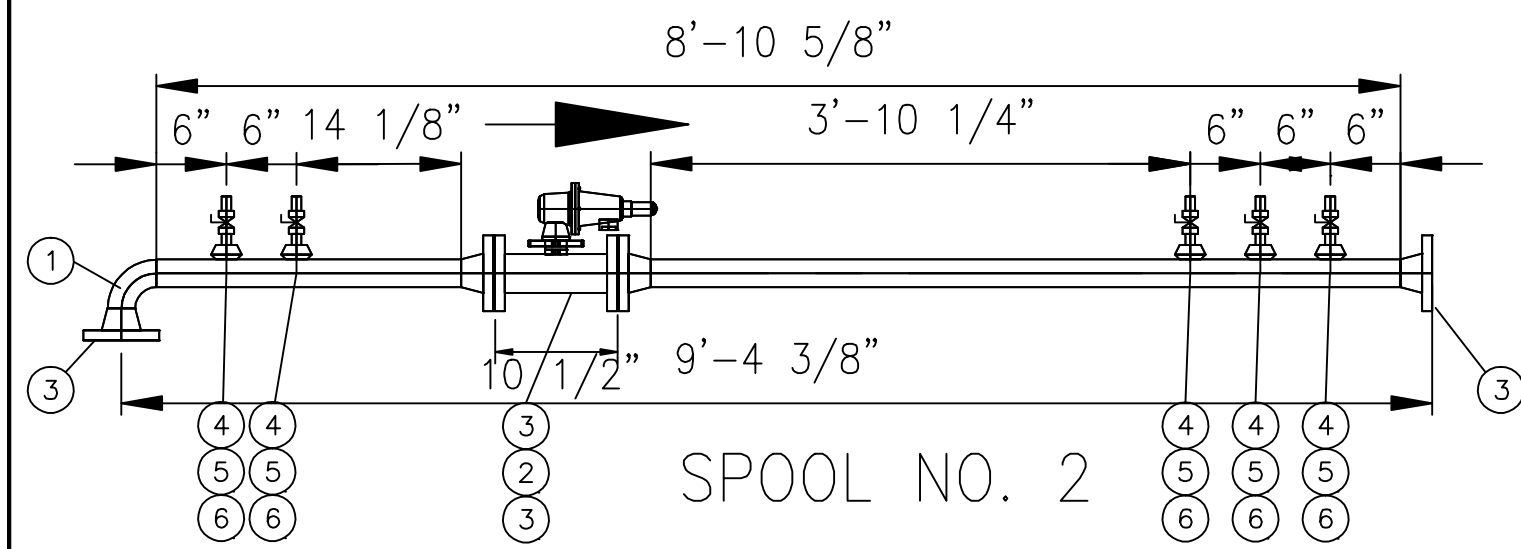


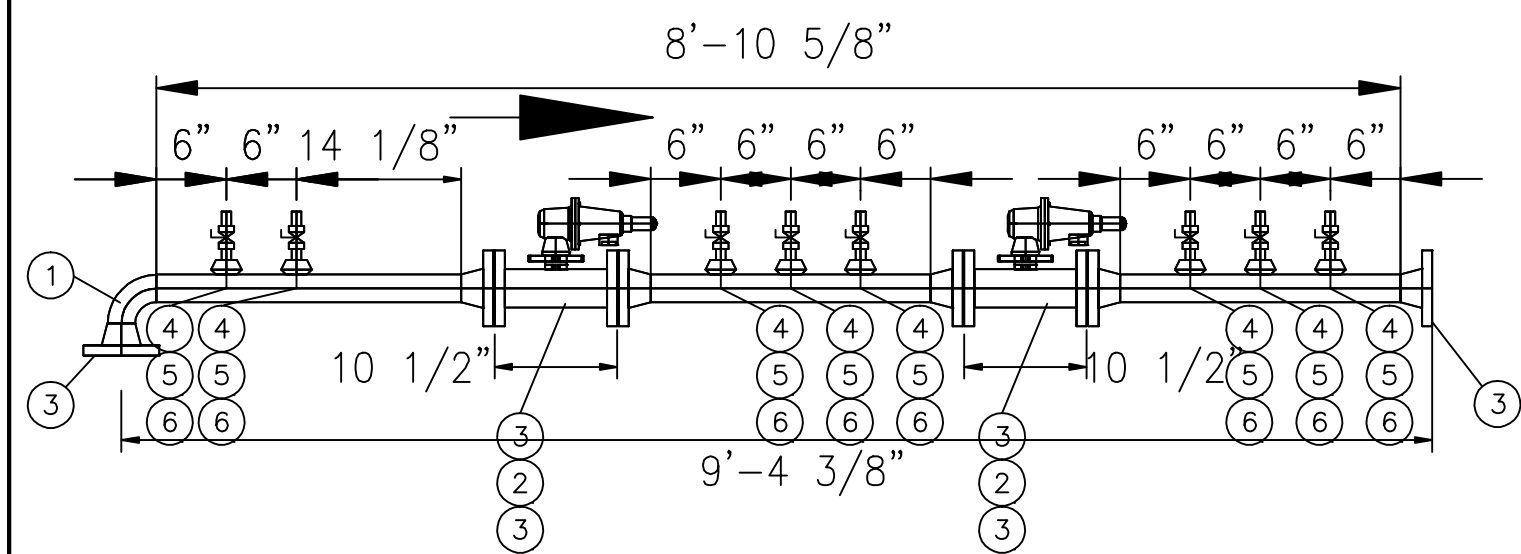
INLET REGULATOR SPOOLS



SPOOL NO. 1

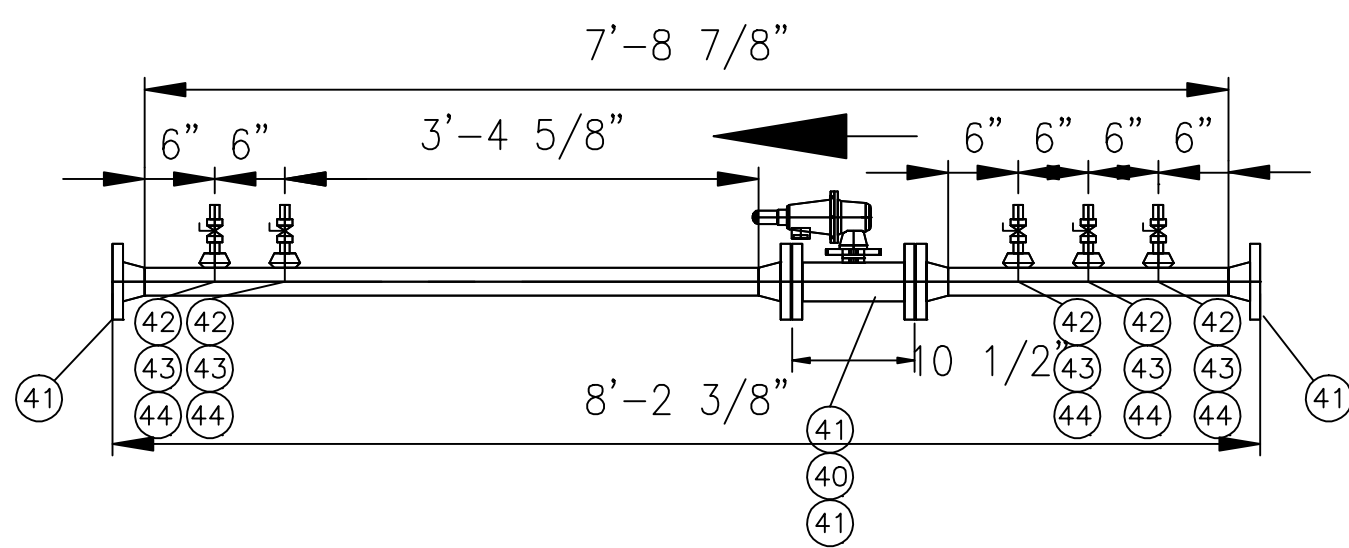


SPOOL NO. 2

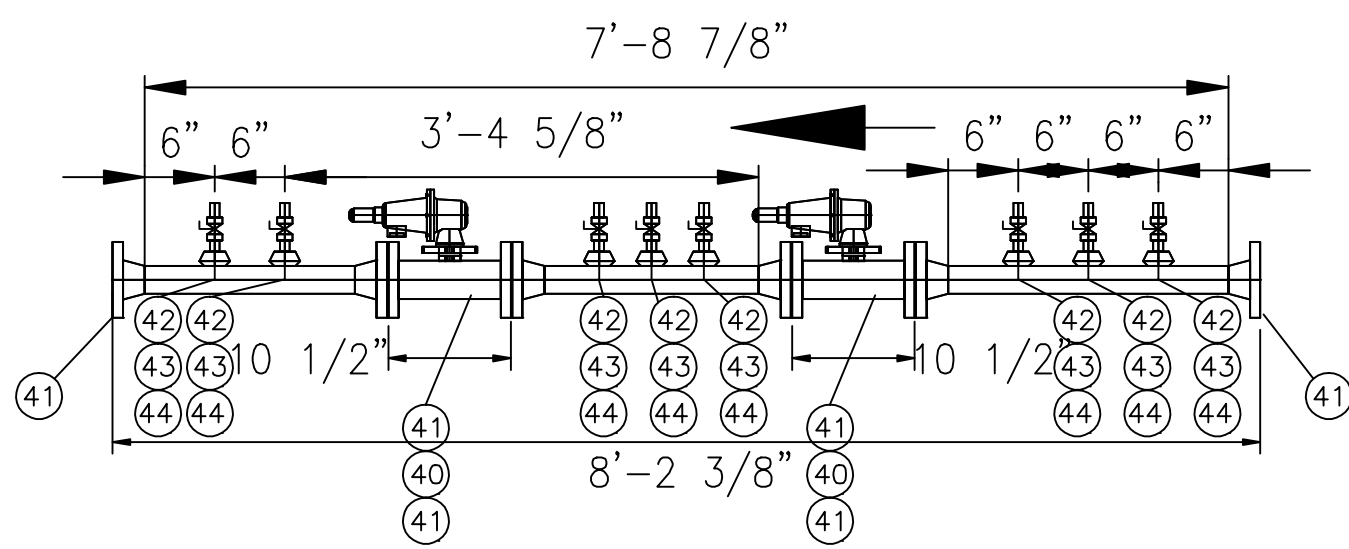


SPOOL NO. 3

OUTLET REGULATOR SPOOLS

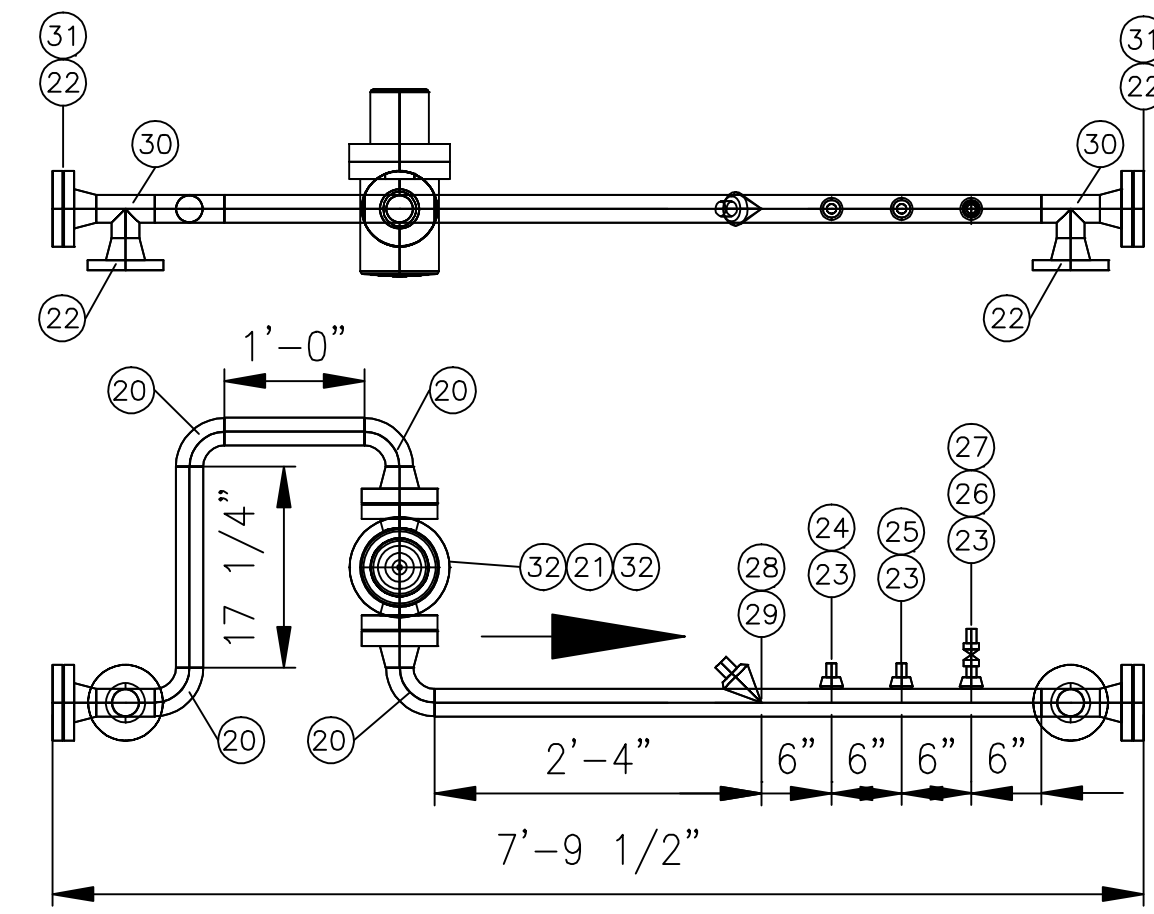


SPOOL NO. 4



SPOOL NO. 5

METER SPOOL



SPOOL NO. A

METER SELECTION	0 Inlet and 2 Outlet Regulator					1 Inlet and 2 Outlet Regulator					2 Inlet and 1 Outlet Regulator				
	3M	5M	7M	11M	T18	3M	5M	7M	11M	T18	3M	5M	7M	11M	T18
	MCFH	MCFH	MCFH	MCFH	MCFH	MCFH	MCFH	MCFH	MCFH	MCFH	MCFH	MCFH	MCFH	MCFH	MCFH
700	Maximum 146.3	243.8	341.4	536.4	981	Maximum 101.2	168.7	238.2	371.2	654.6	Maximum 58.2	93.7	131.1	208.0	350.8
	Minimum 1.9	2.0	5.1	4.3	8.9	Minimum 1.3	1.4	3.5	3.0	7.24	Minimum 0.7	0.8	2.0	1.7	5.3
600	Maximum 125.8	209.7	293.6	461.3	830	Maximum 87.9	146.6	205.2	322.4	562.3	Maximum 51.1	85.1	119.2	187.3	317.55
	Minimum 1.7	1.7	4.4	3.7	8.1	Minimum 1.2	1.2	3.1	2.6	6.72	Minimum 0.7	0.7	1.8	1.5	5.05
500	Maximum 105.3	175.6	245.8	386.2	683	Maximum 74.6	124.4	174.1	273.6	472.5	Maximum 43.9	73.2	102.4	161.0	271
	Minimum 1.4	1.5	3.7	3.1	7.4	Minimum 1.0	1.0	2.6	2.2	6.15	Minimum 0.6	0.6	1.5	1.3	4.7
400	Maximum 84.9	141.4	198.0	311.2	541	Maximum 54.1	90.2	128.3	198.5	337.5	Maximum 33.7	56.2	77.1	121.1	200.0
	Minimum 1.1	1.2	3.0	2.5	6.6	Minimum 0.7	0.8	1.9	1.6	5.2	Minimum 0.5	0.5	1.2	1.0	3.0
300	Maximum 64.4	107.3	150.2	236.1	404	Maximum 41.1	68.1	95.1	148.1	251.1	Maximum 26.1	43.1	58.1	91.1	151.1
	Minimum 0.8	0.9	2.2	1.9	5.7	Minimum 0.6	0.6	1.5	1.3	4.5	Minimum 0.4	0.4	1.0	0.8	2.5
200	Maximum 43.9	73.2	102.4	161.0	271	Maximum 28.1	46.1	64.1	97.1	161.1	Maximum 18.1	30.1	42.1	64.1	101.1
	Minimum 0.6	0.6	1.5	1.3	4.7	Minimum 0.4	0.4	1.0	0.8	2.5	Minimum 0.3	0.3	0.8	0.6	1.8

QUAN. - SPL. NUM.		ITEM	DESCRIPTION
INLET REGULATOR SPOOLS 1, 2 & 3			
1	1	1	2" WLD. ELBOW - STD - ASTM-A-234 - GR. WPB
0	1	2	2" REGULATOR - 300# ANSI - R.F. - FISHER EZR OR 627, GROVE 900 TE, OR MOONEY
2	4	6	2" W.N. FLG. - R.F. - 300# ANSI - STD BORE - ASTM-A-105
5	5	8	1/2" THREDOLET - 3,000# WOG - ASTM-A-105 - GR. B
5	5	8	1/2" M x 1/4" F S.N.V. - AGCO HVC-24 - 3,000# WOG
5	5	8	1/4" PLUG - HEX HEAD - FS - ASTM-A-105
			7
			8
			9
2" METER SPOOL			
4			20 2" WLD. ELBOW - STD - ASTM-A-234 - GR. WPB
1			21 2" ROOTS METER - 600# ANSI - R.F. - DRESSER 3M
4			22 2" W.N. FLG. - R.F. - 300# ANSI - STD BORE - ASTM-A-105
3			23 2" X 1/2" THREDOLET - S. - 3,000# WOG - ASTM-A-105
1			24 1/2" ROSEMOUNT THREADED THERMOWELL - PART #00079-0832-1101
1			25 1/2" GAS SAMPLING CONNECTION PER DWG. STD. 51-22
1			26 1/2" M x 1/4" F S.N.V. - AGCO HVC-24 - 3,000# WOG
1			27 1/4" HEX HEAD PLUG - ASTM-A-105
1			28 1" HEX HEAD PLUG - ASTM-A-105
1			29 2" X 1" LATROLET - 3,000# GWP - ASTM-A-105-75
2			30 2" WLD. TEE - STD - ASTM-A-234 - GR. WPB
2			31 2" BLIND FLG. - R.F. - 300# ANSI - ASTM-A-105
2			32 2" W.N. FLG. - R.F. - 600# ANSI - STD BORE - ASTM-A-105
			33
			34
OUTLET REGULATOR SPOOLS 3 & 4			
QUANTITY SPOOL NUMBER		ITEM	DESCRIPTION
4	5		2" REGULATOR - 300# ANSI - R.F. - FISHER EZR OR 627, GROVE 900 TE, OR MOONEY
4	6		2" W.N. FLG. - R.F. - 300# ANSI - STD BORE - ASTM-A-105
5	8		1/2" THREDOLET - S. - 3,000# WOG
5	8		1/2" M x 1/4" F S.N.V. - AGCO HVC-24 - 3,000# WOG
5	8		1/4" HEX HEAD PLUG - ASTM-A-105
			45
			46
			47

GENERAL NOTES:
 1. ALL PIPING TO BE X.H. WEIGHT, GRADE B OR BETTER.
 2. DO NOT SUBJECT REGULATORS OR METERS TO HYDROSTATIC TESTING.

NOT FOR CONSTRUCTION
 -DRAWINGS PROVIDED BY ATMOS ENERGY ARE CONCEPTUAL ONLY AND NOT TO BE USED FOR FINAL CONSTRUCTION

REFERENCE DWG.

1. 2" M.S. PIPING DETAILS PD11985, SHEET 4

REV		DESCRIPTION	BY	DATE	PROJ. ENGR.: DAVID SHUNG	DATE:
B		REV TO SUIT PM COMMENTS.	RAM	12/09/08	DRAWN BY: RICK MARSH	12/09/08
A		PRELIM..NOT FOR CONSTRUCTION	RAM	10/29/08	PROJECT No. #	DSWR No. -
					SHT. No. SH 5 OF 5	DRAWING No. PD11985

PROPOSED
 3RD PARTY SKID MOUNTED MEASURING STA.
 2" REGULATOR & METER SPOOLS